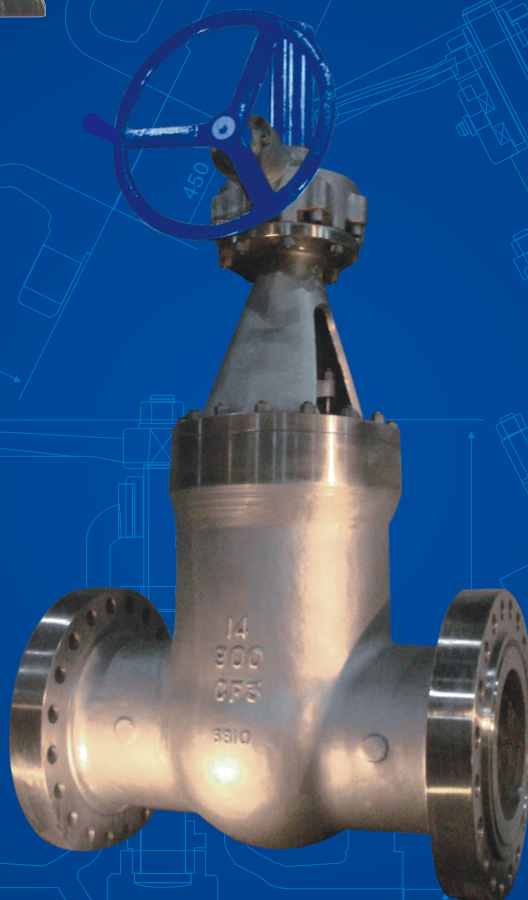
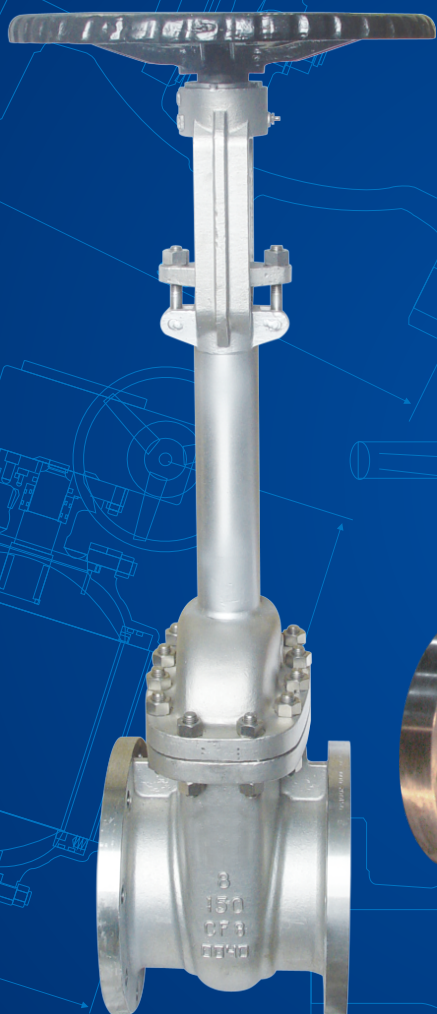


- Ball Valve •Gate Valve •Globe Valve •Check Valve •Forged Valve •DIN Valve

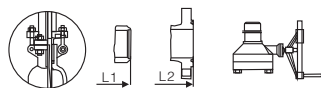
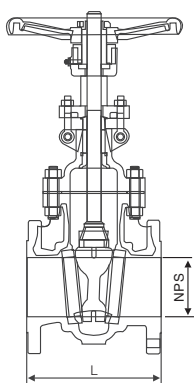


YUANDONG VALVES GROUP CO., LTD

GATE VALVE DATA SHEET

YODO® **LEAD**®

Cast Steel Gate Valve CL150–2500



Applicable standards:

- STEEL GATE VALVES API 600/API 6D
- STEEL GATE VALVES ISO 10434/ISO 14313
- STEEL VALVES, ASME B16.34
- FACE TO FACE, ASME B16.10
- END FLANGES, ASME B16.5
- BUTTWELDING ENDS, ASME B16.25
- INSPECTION AND TEST API 598/API 6D

CL150

NPS	2	2½	3	4	6	8	10	12	14	16	18	20	24	26	28	30	32	36
L(RF)	178	191	203	229	267	292	330	356	381	406	432	457	508	559	610	610	711	711
L1(BW)	216	241	283	305	403	419	457	502	572	610	660	711	813	864	914	914	965	1016

CL300

NPS	2	2½	3	4	6	8	10	12	14	16	18	20	24	26	28	30	32	36
L/L1(RF)	216	241	283	305	403	419	457	502	762	838	914	991	1143	1245	1346	1397	1524	1727
L2(BW)	232	257	298	321	419	435	473	518	778	854	930	1010	1165	1270	1372	1422	1553	1756

Applicable standards:

- STEEL GATE VALVES API 600/API 6D
- STEEL GATE VALVES ISO 10434/ISO 14313
- STEEL VALVES, ASME B16.34
- FACE TO FACE, ASME B16.10
- END FLANGES, ASME B16.5
- BUTTWELDING ENDS, ASME B16.25
- INSPECTION AND TEST API 598/API 6D

CL600

NPS	2	2½	3	4	6	8	10	12	14	16	18	20	24	26	28	30	32	36
L/L1(RF)	292	330	356	432	559	660	787	838	889	991	1092	1194	1397	1448	1549	1651	1778	2083
L2(BW)	295	333	359	435	562	664	791	841	892	994	1095	1200	1407	1461	1562	1664	1794	2099

CL900

NPS	2	2½	3	4	6	8	10	12	14	16	18	20	24
L/L1(RF)	368	419	381	457	610	737	838	965	1029	1130	1219	1321	1549
L2(BW)	371	422	384	460	613	740	841	968	1038	1140	1232	1334	1568

Applicable standards:

- STEEL GATE VALVES API 600/API 6D
- STEEL GATE VALVES ISO 10434/ISO 14313
- STEEL VALVES, ASME B16.34
- FACE TO FACE, ASME B16.10
- END FLANGES, ASME B16.5
- BUTTWELDING ENDS, ASME B16.25
- INSPECTION AND TEST API 598/API 6D

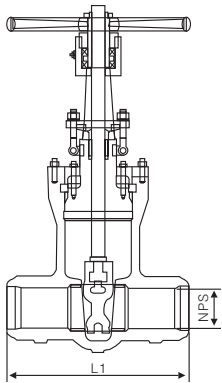
CL1500

NPS	2	2½	3	4	6	8	10	12	14	16	18	20	24
L/L1(RF)	368	419	470	546	705	832	991	1130	1257	1384	1537	1664	1943
L2(BW)	371	422	473	549	711	841	1000	1146	1276	1407	1559	1686	1972

CL2500

NPS	2	2½	3	4	6	8	10	12
L/L1(RF)	451	508	578	673	914	1022	1270	1422
L2(BW)	454	514	584	683	927	1038	1292	1445

Pressure Seal Gate Valve CL900–2500



Applicable Standards:

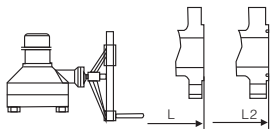
- STEEL GATE VALVES, API 600/API 6D
- STEEL GATE VALVES, ISO 10434/ISO 14313
- STEEL VALVES, ASME B16.34
- FACE TO FACE, ASME B16.10
- END FLANGES ASME B16.5
- BUTTWELDING ENDS, ASME B16.25
- INSPECTION AND TEST ,API 598/API 6D

CL900

NPS	2	2½	3	4	6	8	10	12	14	16
L(RF)	368	419	381	457	610	737	838	965	1029	1130
L1(BW)	216	254	305	356	508	660	787	914	991	1092
L2(RTJ)	371	422	384	460	613	740	841	968	1038	1140

CL1500

NPS	2	2½	3	4	6	8	10	12	14	16
L(RF)	368	419	470	546	705	832	991	1130	1257	1384
L1(BW)	216	254	305	406	559	711	864	991	1067	1194
L2(RTJ)	371	422	473	549	711	841	1000	1146	1276	1407



CL2500

NPS	2	2½	3	4	6	8	10	12
L(RF)	451	508	578	673	914	1022	1270	1422
L1(BW)	279	330	368	457	610	762	914	1041
L2(RTJ)	454	514	584	683	927	1038	1292	1445



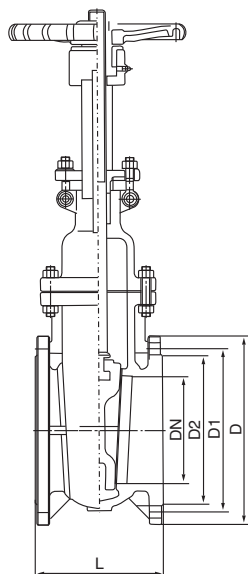
Class Diameter	Class 150 FB	Class 300 FB	Class 600 FB	Class 900 RB - FB	Class 1500 FB	Class 2500 FB
2"	●	●	●	●	●	●
3"	●	●	●	●	●	●
4"	●	●	●	●	●	●
6"	●	●	●	●	●	●
8"	●	●	●	●	●	●
10"	●	●	●	●	●	●
12"	●	●	●	●	●	●
14"	●	●	●	●	●	●
16"	●	●	●	●	●	●
18"	●	●	●	●	●	●
20"	●	●	●	●	●	●
22"	●	●	●	●	●	●
24"	●	●	●	●	●	●
26"	●	●	●	●	●	●
28"	●	●	●	●	●	●
30"	●	●	●	●	●	●
32"	●	●	●	●	●	●
34"	●	●	●	●	●	●
36"	●	●	●	●	●	●
38"	●	●	●	●	●	●
40"	●	●	●	●	●	●
42"	●	●	●	●	●	●
44"	●	●	●	●	●	●

Other dimension on request

DIN Cast Steel Gate Valve PN10–16

Applicable standards:

- DESIGN AND MANUFACTURE :DIN 3352
- INSPECTION AND TEST:ISO5208、 EN 12266
- FLANGED ENDS DIMENSIONS:EN 1092-1、 DIN2544 PN25、 DIN2545 PN40、 DIN2546 PN64
- BUTT-WELDED ENDS DIMENSION:EN12627
- FACE TO FACE AND END TO END:DIN 3202、 EN558-1、 ISO5752
- PRESSURE-TEMPERATURE RATINGS:DIN 2401



DIN F4 Rising stem cast stem gate valve

PN10

DN	40	50	65	80	100	125	150	200	250	300	350	400
L	140	150	170	180	190	200	210	230	250	270	290	310
D	150	165	185	200	220	250	285	340	395	445	505	565
D1	110	125	145	160	180	210	240	295	350	400	460	515
D2	88	102	122	138	158	188	212	268	320	370	430	482

PN16

DN	40	50	65	80	100	125	150	200	250	300	350	400
L	140	150	170	180	190	200	210	230	250	270	290	310
D	150	165	185	200	220	250	285	340	405	460	520	580
D1	110	125	145	160	180	210	240	295	355	410	470	525
D2	88	102	122	138	158	188	212	268	320	378	438	490

Applicable standards:

- DESIGN AND MANUFACTURE :DIN 3352
- INSPECTION AND TEST:ISO5208、 EN 12266
- FLANGED ENDS DIMENSIONS:EN 1092-1、 DIN2544 PN25、 DIN2545 PN40、 DIN2546 PN64
- BUTT-WELDED ENDS DIMENSION:EN12627
- FACE TO FACE AND END TO END:DIN 3202、 EN558-1、 ISO5752
- PRESSURE-TEMPERATURE RATINGS:DIN 2401

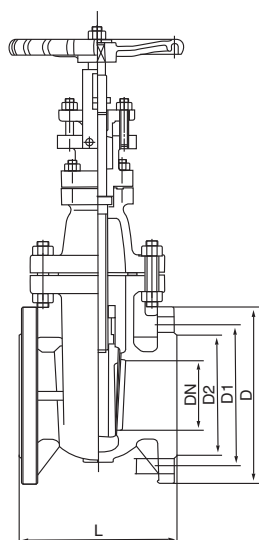
DIN F4 Non-Rising stem cast stem gate valve

PN10

DN	40	50	65	80	100	125	150	200	250	300	350	400
L	140	150	170	180	190	200	210	230	250	270	290	310
D	150	165	185	200	220	250	285	340	395	445	505	565
D1	110	125	145	160	180	210	240	295	350	400	460	515
D2	88	102	122	138	158	188	212	268	320	370	430	482

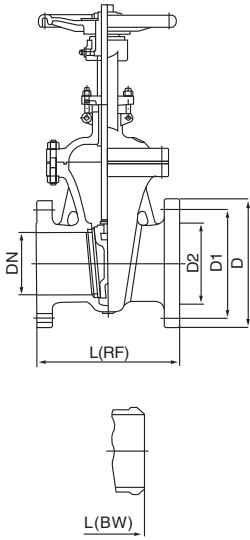
PN16

DN	40	50	65	80	100	125	150	200	250	300	350	400
L	140	150	170	180	190	200	210	230	250	270	290	310
D	150	165	185	200	220	250	285	340	405	460	520	580
D1	110	125	145	160	180	210	240	295	355	410	470	525
D2	88	102	122	138	158	188	212	268	320	378	438	490



DIN Cast Steel Gate Valve PN16-64

DIN F5 Rising stem cast stem gate valve



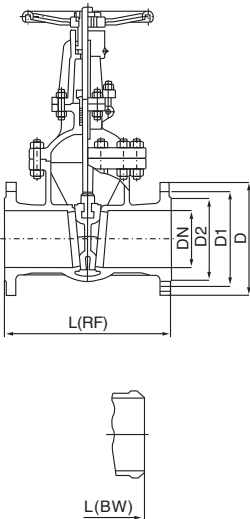
PN16

DN	40	50	65	80	100	125	150	200	250	300	350	400	500	600	700	800	
L	RF	240	250	270	280	300	325	350	400	450	500	550	600	700	800	900	1000
	BW	240	250	270	280	300	325	350	400	450	500	550	600	700	800	900	1000
D	150	165	185	200	220	250	285	340	405	460	520	580	715	840	910	1025	
D1	110	125	145	160	180	210	240	295	355	410	470	525	650	770	840	950	
D2	88	102	122	138	158	188	212	268	320	378	430	490	610	725	795	900	

PN25

DN	40	50	65	80	100	125	150	200	250	300	350	400	500	600	
L	RF	240	250	270	280	300	325	350	400	450	500	550	600	700	800
	BW	240	250	270	280	300	325	350	400	450	500	550	600	700	800
D	150	165	185	200	235	270	300	360	425	485	555	620	730	845	
D1	110	125	145	160	190	220	250	310	370	430	490	550	660	770	
D2	88	102	122	138	162	188	218	278	335	395	450	505	615	720	

DIN F7 Rising stem cast stem gate valve



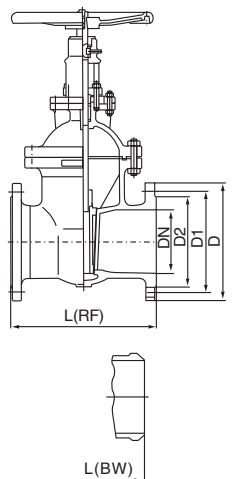
PN40

DN	40	50	65	80	100	125	150	200	250	300	350	400	500	
L	RF	240	250	290	310	350	400	450	550	650	750	850	950	1150
	BW	240	250	290	310	350	400	450	550	650	750	850	950	1150
D	150	165	185	200	235	270	300	375	450	515	580	660	750	
D1	110	125	145	160	190	220	250	320	385	450	510	585	670	
D2	88	102	122	138	162	188	218	285	345	410	465	535	615	

PN64

DN	40	50	65	80	100	125	150	200	250	300	350	400	500	
L	RF	240	250	290	310	350	400	450	550	650	750	850	950	1150
	BW	240	250	290	310	350	400	450	550	650	750	850	950	1150
D	170	180	205	215	250	295	345	415	470	530	600	670	800	
D1	125	135	160	170	200	240	280	345	400	460	525	585	705	
D2	88	102	122	138	162	188	218	285	345	410	465	535	615	

DIN F5/F15 Non- Rising stem cast stem gate valve



PN25

DN	40	50	65	80	100	125	150	200	250	300	350	400	500	
L	RF	240	250	270	280	300	325	350	400	450	500	550	600	700
	BW	240	250	270	280	330	360	390	460	530	630	690	750	880
D	150	165	185	200	235	270	300	360	425	485	555	620	730	
D1	110	125	145	160	190	220	250	310	370	430	490	550	660	
D2	88	102	122	138	162	188	218	278	335	395	450	505	615	

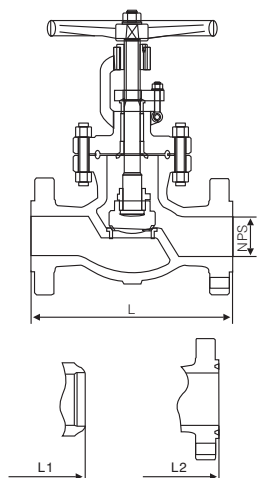
PN40

DN	40	50	65	80	100	125	150	200	250	300	350	400	500	
L	RF	240	250	270	280	330	360	390	460	530	630	690	750	880
	BW	240	250	270	280	330	360	390	460	530	630	690	750	880
D	150	165	185	200	235	270	300	375	450	515	580	660	755	
D1	110	125	145	160	190	220	250	320	385	450	510	585	670	
D2	88	102	122	138	162	188	218	285	345	410	465	535	615	

Cast Steel Globe Valve CL150–2500

Applicable standards:

- STEEL GLOBE VALVES BS EN 13709/API 600
- STEEL VALVES, ASME B16.34
- FACE TO FACE, ASME B16.10
- END FLANGES, ASME B16.5
- BUTTWELDING ENDS, ASME B16.25
- INSPECTION AND TEST ,API 598



CL150

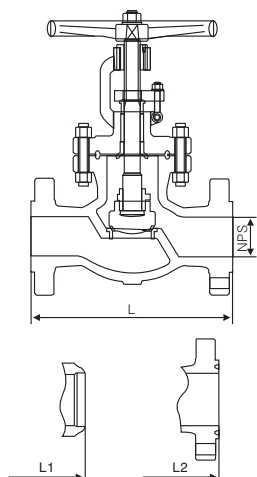
NPS	2	2½	3	4	6	8	10	12	14	16
L/L1(RF)	203	216	241	292	406	495	622	698	787	914
L2(BW)	203	216	241	292	406	495	622	698	787	914

CL300

NPS	2	2½	3	4	6	8	10	12
L/L1(RF)	267	292	318	356	444	559	622	711
L2(BW)	282	308	333	371	460	575	638	727

Applicable standards:

- STEEL GLOBE VALVES BS EN 13709/API 600
- STEEL VALVES, ASME B16.34
- FACE TO FACE, ASME B16.10
- END FLANGES, ASME B16.5
- BUTTWELDING ENDS, ASME B16.25
- INSPECTION AND TEST ,API 598



CL600

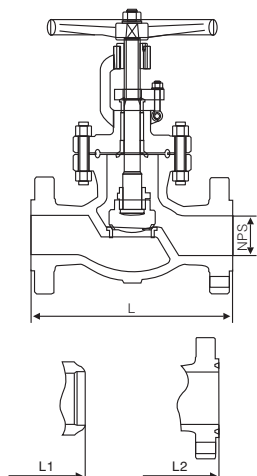
NPS	2	2½	3	4	6	8	10	12
L/L1(RF)	292	330	356	432	559	660	787	838
L2(BW)	295	333	359	435	562	663	790	841

CL 900

NPS	2	2½	3	4	6	8	10
L/L1(RF)	368	419	381	457	610	737	838
L2(BW)	371	422	384	460	613	740	841

Applicable standards:

- STEEL GLOBE VALVES BS EN 13709/API 600
- STEEL VALVES, ASME B16.34
- FACE TO FACE, ASME B16.10
- END FLANGES, ASME B16.5
- BUTTWELDING ENDS, ASME B16.25
- INSPECTION AND TEST ,API 598



CL1500

NPS	2	2½	3	4	6	8
L/L1(RF)	368	419	470	546	705	832
L2(BW)	371	422	473	549	711	841

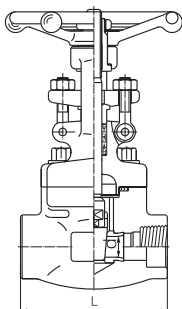
CL2500

NPS	2	2½	3	4	6
L/L1(RF)	451	508	578	673	914
L2(BW)	454	514	584	683	927

Female Threaded and Socket Welded Gate Valve CL800–1500

Applicable standards:

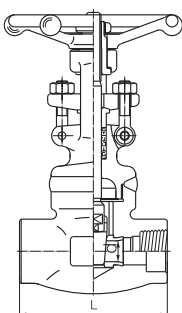
- Design and manufacture conform to :API602、BS5352、ANSI B16.34
- Test and inspection conform to :API 598
- Connection ends conform to :
 - 1)Socket welded dimension conform ANSI B16.11
 - 2)Screw ends dimensin conform to ANSI B1.20.1
 - 3)Butt-welded conform to ANSI B16.25
 - 4)Flanged ends conform to ANSI B16.5
- Structure features:
 - Bolted bonnet,outside screw and yoke
 - Welded bonnet,outside screw and yoke
- Maaterials conform to ANSI/ASTM
- Main materials:A105;LF2;F5;F11;F22;304(L);316(L);F347;F321;F51;Monel;20 Alloy.



CL800

Bolted bonnet, full port & reducing port outside screw and yoke (os & Y) threaded, butt-welded or socket welded ends; design to API 602

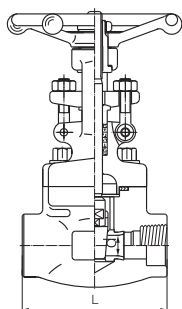
NPS	R.P	-	1/2	3/4	1	1 1/4	1 1/2	2	2 1/2	3
	F.P	1/4	3/8	1/2	3/4	1	1 1/4	1 1/2	2	2 1/2
L		79	79	92	111	120	120	140	178	180
D		8	10.5	13.5	18	24	29	36.5	45	51



CL800

Welded bonnet, full port & reducing port outside screw and yoke (os & Y) threaded, butt-welded or socket ends, design to API 602

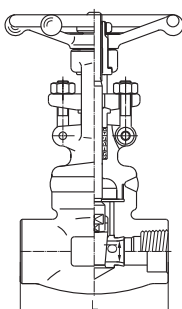
NPS	R.P	-	1/2	3/4	1	1 1/4	1 1/2	2	2 1/2	3
	F.P	1/4	3/8	1/2	3/4	1	1 1/4	1 1/2	2	2 1/2
L		79	79	92	111	120	120	140	178	180
D		8	10.5	13.5	18	24	29	36.5	45	51



CL900–CL1500

Bolted bonnet, full port & reducing port outside screw and yoke (OS & Y) threaded, butt-welded or socket welded ends; design to API 602

NPS	R.P	-	1/2	3/4	1	1 1/4	1 1/2	2	2 1/2	3
	F.P	1/4	3/8	1/2	3/4	1	1 1/4	1 1/2	2	2 1/2
L		92	111	111	120	120	140	178	180	-
D		8	10.5	13.5	18	24	29	36.5	45	-



CL900–CL1500

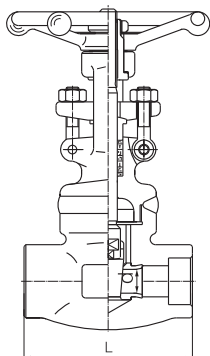
Welded bonnet, full port & reducing port outside screw and yoke (OS & Y) threaded, butt-welded or socket welded ends; design to API 602

NPS	R.P	-	1/2	3/4	1	1 1/4	1 1/2	2	2 1/2	3
	F.P	1/4	3/8	1/2	3/4	1	1 1/4	1 1/2	2	2 1/2
L		92	111	111	120	120	140	178	180	-
D		8	10.5	13.5	18	24	29	36.5	45	-

Female Threaded and Socket Welded Gate Valve CL1500–2500

Applicable standards:

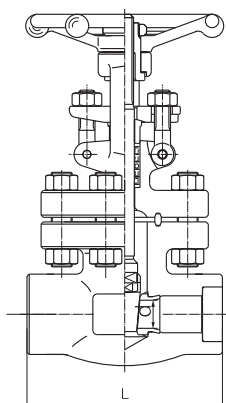
- Design and manufacture conform to :API602、BS5352、ANSI B16.34
- Test and inspection conform to :API 598
- Connection ends conform to :
 - 1)Socket welded dimension conform ANSI B16.11
 - 2)Screw ends dimension conform to ANSI B1.20.1
 - 3)Butt-welded conform to ANSI B16.25
 - 4)Flanged ends conform to ANSI B16.5
- Structure features:
 - Bolted bonnet, outside screw and yoke
 - Welded bonnet, outside screw and yoke
- Materials conform to ANSI/ASTM
- Main materials: A105; LF2; F5; F11; F22; 304(L); 316(L); F347; F321; F51; Monel; 20 Alloy.



CL2500

Welded bonnet, full port & reducing port outside screw and yoke (OS & Y)
Socket welded ends, design conform to ASME B 16.34

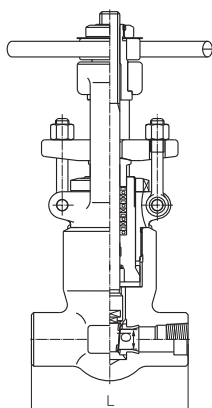
NPS	F.P	3 / 8	1 / 2	3 / 4	1	1 1/4
L		111	120	120	120	140
D		14	14	14	19	25



CL1500–CL2500

Welded bonnet, full port & reducing port outside screw and yoke (OS & Y)
Socket welded ends, design conform to ASME B 16.34

NPS	F.P		1 / 2	3 / 4	1	1 1/2	2
L		CL1500	111	150	150	210	235
		CL2500	125	150	210	235	235
D		CL1500	14	17	22	35	37
		CL2500	14	14	14	25	30

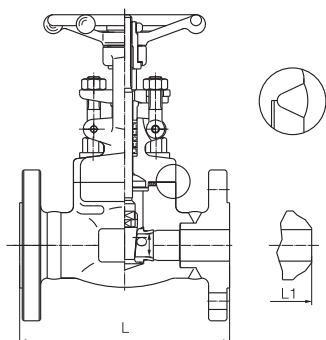


CL1500–CL2500

Welded bonnet, full port & reducing port outside screw and yoke (OS & Y)
Socket welded ends, design conform to ASME B 16.34

NPS	F.P		3 / 8	1 / 2	3 / 4	1	1 1/4	1 1/2	2
L		CL900–1500	140	140	140	140	178	178	216
		CL2500	186	186	186	186	232	232	279
D		CL900–1500	14	14	14	14	25	30	36.5
		CL2500	14	14	14	14	25	30	36.5

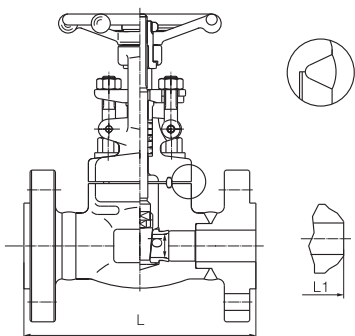
Forged Steel Flange Gate Valve CL150–2500



CL150–300–600

Bolted bonnet, reducing port outside screw and yoke (os & Y)
Flange–or butt–welded ends; design to API 602 BS5352

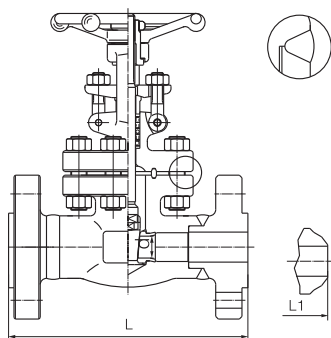
NPS		1/4	3/8	1/2	3/4	1	1 1/4	1 1/2	2	2 1/2
F.P	L(RH) L1(BW)	–	–	108	117	127	140	165	178	190
		–	–	140	152	165	178	190	216	241
		–	–	165	190	216	229	241	292	330
D		–	–	10	13.5	18	24	29	36.5	45



CL900–CL1500

Bolted bonnet, Full port outside screw and yoke (os & Y)
Flange–welded or–butt–welded ends; design to BS5352

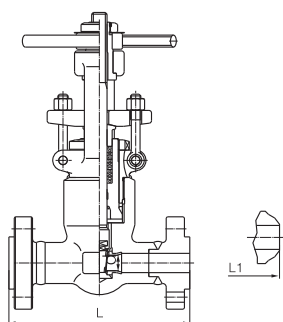
NPS		1/4	3/8	1/2	3/4	1	1 1/4	1 1/2	2
F.P	L(RH), L1(BW)	–	–	216	229	254	279	305	368
	L (RTJ)	–	–	216	229	254	279	305	371
D		–	–	13.5	18	24	29	36.5	45



CL2500

Bolted bonnet, Full port outside screw and yoke (os & Y)
Flange–welded or–butt–welded ends; design to ASME B16.34

NPS		1/4	3/8	1/2	3/4	1	1 1/4	1 1/2	2
F.P	L(RH), L1(BW)	–	–	264	273	308	–	384	451
	L (RTJ)	–	–	264	273	308	–	387	454
D		–	–	13.5	13.5	19	–	30	36.5

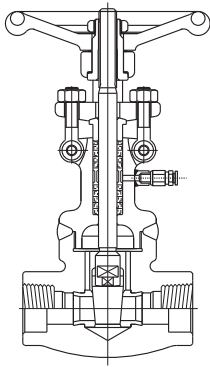


CL2500

Pressure seal gate valves, Full port outside screw and yoke (os & Y)
Flange–welded or–butt–welded ends; design to ASME B16.34

NPS		1/4	3/8	1/2	3/4	1	1 1/4	1 1/2	2
F.P	L(RH), L1(BW)	–	–	264	273	308	–	384	451
	L (RTJ)	–	–	264	273	308	–	387	454
D		–	–	13.5	13.5	19	–	30	36.5

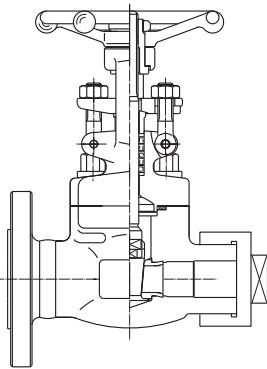
Special Purposes Gate Valve



- Welded bonnet
- Os & y
- Packing
- Distance ring
- Grease valve
- Solid wedge

Vacuum gate valves

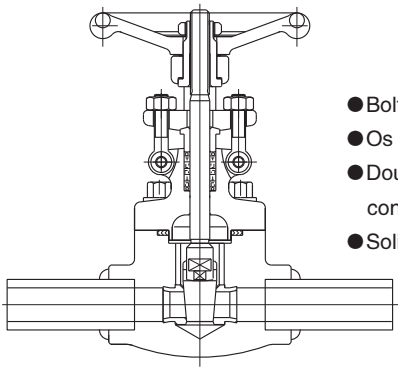
CLASS800 API602 BS5352	Temperature pressure	materials		
	1975 psi @ 100°F	body/bonnet	trim	bolt
		Carbon steel	13Cr	B7



- Welded bonnet
- Os & y
- cap fitting connection
- Solid wedge

For venting and /or releasing media

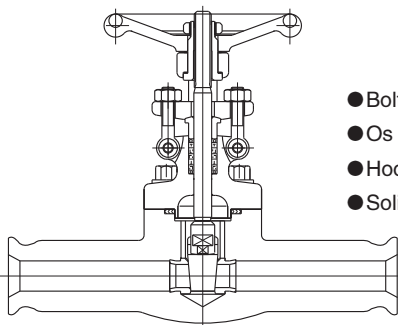
CLASS800 API602 BS5352	Temperature pressure	materials		
	1975 psi @ 100°F	body/bonnet	trim	bolt
		Carbon steel	13Cr	B7



- Bolted bonnet
- Os & y
- Double end pipe connection
- Solid wedge

Coupling pipe valves

CLASS800 API602 BS5352	Temperature pressure	materials		
	1975 psi @ 100°F	body/bonnet	trim	bolt
		Carbon steel	13Cr	B7

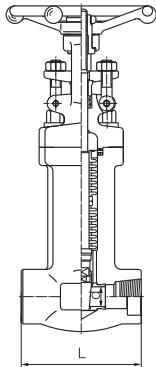


- Bolted bonnet
- Os & y
- Hoop connection
- Solid wedge

Hoop gate valves

CLASS800 API602 BS5352	Temperature pressure	materials		
	1975 psi @ 100°F	body/bonnet	trim	bolt
		Carbon steel	13Cr	B7

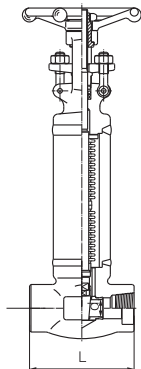
Bellow Sealed Gate Valve CL800-1500



CL800

Bolted bonnet, full port & reducing port outside screw and yoke (OS & Y)
Threaded, butt-welded or socket welded ends; design to API602/MSS-SP-117

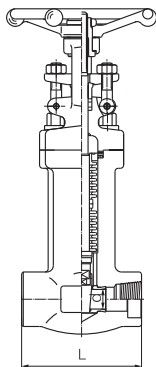
NPS	R.P	-	1/2	3/4	1	1 1/4	1 1/2	2
	F.P	1/4	3/8	1/2	3/4	1	1 1/4	1 1/2
L		79	79	92	111	120	160	140
D		7.5	10.5	13.5	18	24	29	36.5



CL800

Welded bonnet, full port & reducing port outside screw and yoke (OS & Y)
Threaded, butt-welded or socket welded ends; design to API602/MSS-SP-117

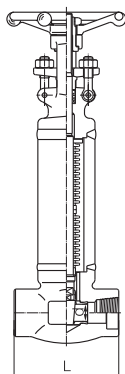
NPS	R.P	-	1/2	3/4	1	1 1/4	1 1/2	2
	F.P	1/4	3/8	1/2	3/4	1	1 1/4	1 1/2
L		79	79	92	111	120	160	140
D		7.5	10.5	13.5	18	24	29	36.5



CL1500

Bolted bonnet, full port & reducing port outside screw and yoke (OS & Y)
Threaded, butt-welded or socket welded ends; design to API602/MSS-SP-117

NPS	R.P	-	1/2	3/4	1	1 1/4	1 1/2	2
	F.P	1/4	3/8	1/2	3/4	1	1 1/4	1 1/2
L		79	111	111	120	120	140	178
D		7.5	10.5	13.5	18	24	29	36.5

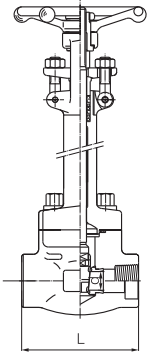


CL1500

Welded bonnet, full port & reducing port outside screw and yoke (OS & Y)
Threaded, butt-welded or socket welded ends; design to API602/MSS-SP-117

NPS	R.P	-	1/2	3/4	1	1 1/4	1 1/2	2
	F.P	1/4	3/8	1/2	3/4	1	1 1/4	1 1/2
L		79	111	111	120	120	140	178
D		7.5	10.5	13.5	18	24	29	36.5

Cryogenic Gate Valve CL150-800



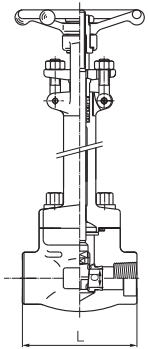
Applicable standards:

- Design and manufacture conform to :API 602 Bs5352 ANSI B16.34
- Connection ends conform to :
 - 1)Socket welded dimension conform ANSI B16.11
 - 2)Screw ends dimensin conform to ANSI B1.20.1
 - 3)Butt-welded conform to ANSI B16.25
 - 4)Flanged ends conform to ANSI B16.5
- Test and inspection conform to :API 598
- Structure features:
 - Bolted bonnet,outside screw and yoke
 - welded bonnet,outside screw and yoke
- Maaterials conform to ANSI/ASTM
- Main materials:LF2;LF3;304(L);316(L);F347;F321;F51

CL800

Bolted bonnet,cryogenic extended bonnet full port & reduced port,(OS & Y)
Threaded,butt-welded or socket welded ends;design to API 602

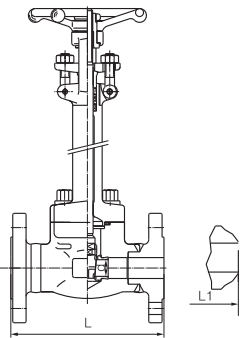
NPS	R.P	-	1/2	3/4	1	1 1/4	1 1/2	2	2 1/2	3
	F.P	1/4	3/8	1/2	3/4	1	1 1/4	1 1/2	2	2 1/2
L		79	79	92	111	120	120	140	178	180
D		7.5	10.5	13.5	18	24	29	36.5	45	51



CL1500

Bolted bonnet,cryogenic extended bonnet full port & reduced port,(OS & Y)
Threaded,butt-welded or socket welded ends;design to API 602

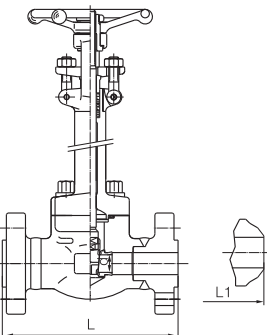
NPS	R.P	-	1/2	3/4	1	1 1/4	1 1/2	2	2 1/2
	F.P	1/4	3/8	1/2	3/4	1	1 1/4	1 1/2	2
L		79	111	111	120	120	140	178	180
D		7.5	10.5	13.5	18	24	29	36.5	45



CL150-300-600

Bolted bonnet,cryogenic extended bonnet full reduced port,(OS & Y)
Flanged or butt welded ends;design to API 602

NPS	F.P	1/4	3/8	1/2	3/4	1	1 1/4	1 1/2	2
L(RF) L1(BW)		-	-	108	118	127	-	165	178
		-	-	140	153	165	-	191	216
		-	-	165	191	216	-	241	292
D		-	-	10.5	13.5	18	24	29	36.5



CL150-300-600

Bolted bonnet,cryogenic extended bonnet full port,(OS & Y)
Flanged or butt welded ends;design to API 602

NPS	R.P	-	1/2	3/4	1	1 1/4	1 1/2	2
L			216	229	254	279	325	368
D			10.5	13.5	18	24	29	36.5

Flange Integrity forged steel valve enquiry please contact sales department.