

- Ball Valve • Gate Valve • Globe Valve • Check Valve • Forged Valve • DIN Valve

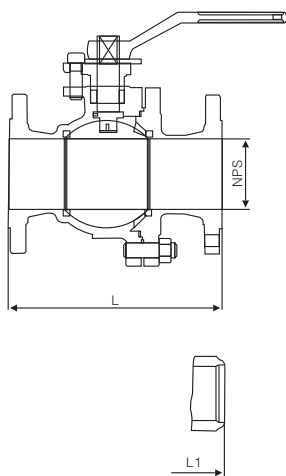


# YUANDONG VALVES GROUP CO., LTD

## BALL VALVE DATA SHEET

**YODO**® **LEAD**®

## Floating, Ball Valve CL150-600



### Applicable standards:

- STEEL BALL VALVES API 608/API 6D
- STEEL BALL VALVES ISO 14313
- FIRE SAFE, API 607
- ANTI STATIC, API 608
- STEEL VALVES, ASME B16.34
- FACE TO FACE ASME B16.10
- END FLANGES, ASME B16.5
- BUTTWELDING ENDS ASME B16.25
- INSPECTION AND TEST, API 598/ API 6D

### CL150

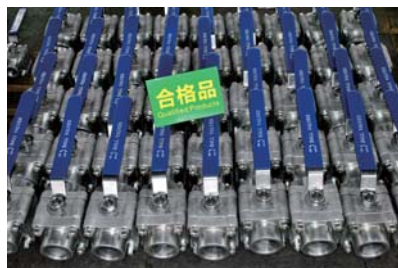
NPS	1/2	3/4	1	1 1/2	2	2 1/2	3	4	6	8	10	12
L(RF)	108	117	127	165	178	190	203	229	394	457	533	610
L1(BW)	140	152	165	190	216	241	283	305	457	521	559	635

### CL 300

NPS	1/2	3/4	1	1 1/2	2	2 1/2	3	4	6	8	10	12
L(RF)	140	152	165	190	216	241	283	305	403	502	568	648
L1(BW)	140	152	165	190	216	241	283	305	457	521	559	635

### CL 600

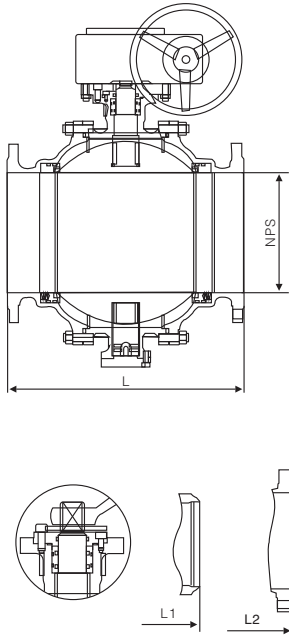
NPS	1 / 2	3/4	1	1 1/2	2	2 1/2	3	4	6
L(RF)	165	190	216	241	292	330	356	432	559
L1(BW)	-	-	-	-	295	333	359	435	562



Class Diameter	Class 150 RB - FB	Class 300 RB - FB	Class 600 RB - FB	Class 1500 RB - FB	Class 2500 RB - FB
1/2"	● ●	● ●	● ●	● ●	● ●
3/4"	● ●	● ●	● ●	● ●	● ●
1"	● ●	● ●	● ●	● ●	● ●
1 1/2"	● ●	● ●	● ●	● ●	● ●
2"	● ●	● ●	● ●	● ●	● ●
3"	● ●	● ●	● ●	● ●	● ●
4"	● ●	● ●	● ●		
6"	● ●	● ●	● ●		
8"	● ●	● ●	● ●		
10"	● ●				

Other dimension on request

## Trunnion, Mounted Ball Valve CL150–2500



### Applicable standards:

- STEEL BALL VALVES API 608/API 6D
- STEEL BALL VALVES ISO 14313
- FIRE SAFE, API 607
- ANTI STATICS, API 608
- STEEL VALVES, ASME B16.34
- FACE TO FACE ASME B16.10
- END FLANGES, ASME B16.5
- BUTTWELDING ENDS ASME B16.25
- INSPECTION AND TEST, API 598/ API 6D

### CL150

NPS	2	2½	3	4	6	8	10	12	14	16	18	20	24	26	28	30	32	36
L(RF)	178	190	203	229	394	457	533	610	686	762	864	914	1067	1143	1245	1295	1372	1524
L1(BW)	216	241	283	305	457	521	559	635	762	838	914	991	1143	1245	1346	1397	1524	1727

### CL300

NPS	2	2½	3	4	6	8	10	12	14	16	18	20	24	26	28	30	32
L(RF)	216	241	283	305	403	502	568	648	762	838	914	991	1143	1245	1346	1397	1524
L1(BW)	216	241	283	305	403	521	559	635	762	838	914	991	1143	1245	1346	1397	1524

### CL600

NPS	2	2½	3	4	6	8	10	12	14	16	18	20	24	26	28
L/L1(RF/BW)	292	330	356	432	559	660	787	838	889	991	1092	1194	1397	1448	1549
L2(RTJ)	295	333	359	435	562	664	791	841	892	994	1095	1200	1407	1461	1562

### CL900

NPS	2	2½	3	4	6	8	10	12	14	16	18	20	24
L/L1(RF/BW)	368	419	381	457	610	737	838	965	1029	1130	1219	1321	1549
L2(RTJ)	371	422	384	460	613	740	841	968	1038	1140	1232	1334	1568

### CL1500

NPS	2	2½	3	4	6	8	10	12	14	16
L/L1(RF/BW)	368	419	470	546	705	832	991	1130	1257	1384
L2(RTJ)	371	422	473	549	711	841	1000	1146	1276	1407



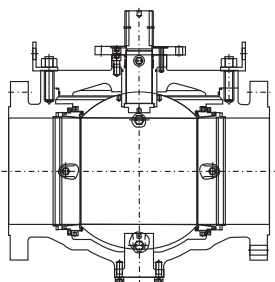
Class Diameter	Class 150 RB - FB	Class 300 RB - FB	Class 600 RB - FB	Class 900 RB - FB	Class 1500 RB - FB	Class 2500 RB - FB
2"	●	●	●	●	●	●
3"	●	●	●	●	●	●
4"	●	●	●	●	●	●
6"	●	●	●	●	●	●
8"	●	●	●	●	●	●
10"	●	●	●	●	●	●
12"	●	●	●	●	●	●
14"	●	●	●	●	●	●
16"	●	●	●	●	●	●
18"	●	●	●	●	●	●
20"	●	●	●	●	●	●
22"	●	●	●	●	●	●
24"	●	●	●	●	●	●
26"	●	●	●	●	●	●
28"	●	●	●	●	●	●
30"	●	●	●	●	●	●
32"	●	●	●	●	●	●
34"	●	●	●	●	●	●
36"	●	●	●	●	●	●
38"	●	●	●	●	●	●
40"	●	●	●	●	●	●
42"	●	●	●	●	●	●
48"	●	●	●	●	●	●
56"-60"	●	●	●	●	●	●

Other dimension on request

## Top Entry Combination Ball Valve CL150-1500

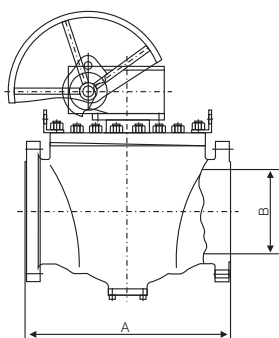
### Applicable standards:

- DESIGN & MANUFACTURE CONFORM WITH: API 6D/ISO 14313、ASME B16.34
- CONNECTION DIMENSION CONFORMS WITH: ASME B16.5、DN EN 1092
- FIRE RESISTANCE DESIGN CONFORMS WITH: API 607/ISO 10497
- INSPECTION & TEST CONFORMS WITH: API 6D、ISO 5208、API 598
- MATERIAL CONFORMS WITH: ISO 15156



### CL150

NPS	2	3	4	6	8	10	12	14	16	18	20	24	28	30
A	292	356	432	559	660	787	838	889	991	1092	1194	1397	1549	1651
B	51	76	100	150	201	252	303	334	385	436	487	589	684	735



### CL300

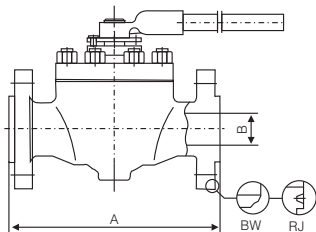
NPS	2	3	4	6	8	10	12	14	16	18	20	24	28	30
A	292	356	432	559	660	787	838	889	991	1092	1194	1397	1549	1651
B	51	76	100	150	201	252	303	334	385	436	487	589	684	735

### CL600

NPS	2	3	4	6	8	10	12	14	16	18	20	24	28	30
A	292	356	432	559	660	787	838	889	991	1092	1194	1397	1549	1651
B	51	76	100	150	201	252	303	334	385	436	487	589	684	735

### CL900

NPS	2	3	4	6	8	10	12	14	16	18	20	24
A	368	381	457	610	737	838	965	1029	1130	1219	1321	1549
B	49	74	100	150	201	252	303	322	373	423	471	589



### CL1500

NPS	2	3	4	6	8	10	12	14	16	18
A	368	470	546	705	832	991	1130	1257	1384	1477
B	49	74	100	144	192	239	287	315	360	405



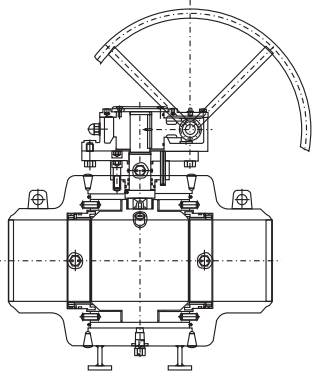
Class Diameter	Class 150 RB - FB	Class 300 RB - FB	Class 600 RB - FB	Class 900 RB - FB	Class 1500 RB - FB	Class 2500 RB - FB
2"	● ●	● ●	● ●	● ●	● ●	● ●
3"	● ●	● ●	● ●	● ●	● ●	● ●
4"	● ●	● ●	● ●	● ●	● ●	● ●
6"	● ●	● ●	● ●	● ●	● ●	● ●
8"	● ●	● ●	● ●	● ●	● ●	● ●
10"	● ●	● ●	● ●	● ●	● ●	● ●
12"	● ●	● ●	● ●	● ●	● ●	● ●
14"	● ●	● ●	● ●	● ●	● ●	● ●
16"	● ●	● ●	● ●	● ●	● ●	● ●
18"	● ●	● ●	● ●	● ●	● ●	● ●
20"	● ●	● ●	● ●	● ●	● ●	● ●
22"	● ●	● ●	● ●	● ●	● ●	● ●
24"	● ●	● ●	● ●	● ●	● ●	● ●
26"	● ●	● ●	● ●	● ●	● ●	● ●
28"	● ●	● ●	● ●	● ●	● ●	● ●
30"	● ●	● ●	● ●	● ●	● ●	● ●

Other dimension on request

## Full Welded Ball Valve CL150-1500

### Applicable standards:

DESIGN & MANUFACTURE CONFORM WITH: API 6D/ ISO 14313、ASME B16.34  
 CONNECTION DIMENSION CONFORMS WITH: ASME B16.25、DIN EN 12627  
 FIRE RESISTANCE DESIGN CONFORMS WITH: API 607/ISO 10497  
 INSPECTION & TEST CONFORMS WITH: API 6D、ISO 5208、API 598  
 MATERIAL CONFORMS WITH: ISO 15156

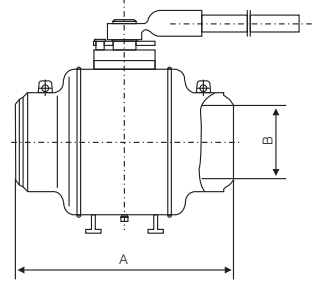


### CL150

NPS	2	3	4	6	8	10	12	14	16	18	20	24	28	30
A	216	283	305	457	521	559	635	762	838	914	991	1143	1346	1397
B	51	76	100	150	201	252	303	334	385	436	487	589	684	735

### CL300

NPS	2	3	4	6	8	10	12	14	16	18	20	24	28	30
A	216	283	305	457	521	559	635	762	838	914	991	1143	1346	1397
B	51	76	100	150	201	252	303	334	385	436	487	589	684	735

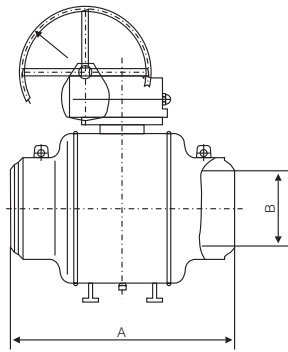


### CL600

NPS	2	3	4	6	8	10	12	14	16	18	20	24	28	30
A	292	356	432	559	660	787	838	889	991	1092	1194	1397	1549	1651
B	51	76	100	150	201	252	303	334	385	436	487	589	684	735

### CL900

NPS	2	3	4	6	8	10	12	14	16	18	20	24
A	368	381	457	610	737	838	965	1029	1130	1219	1321	1549
B	49	74	100	150	201	252	303	322	373	423	471	589



### CL1500

NPS	2	3	4	6	8	10	12	14
A	368	470	546	705	832	991	1130	1257
B	49	74	100	144	192	239	287	315



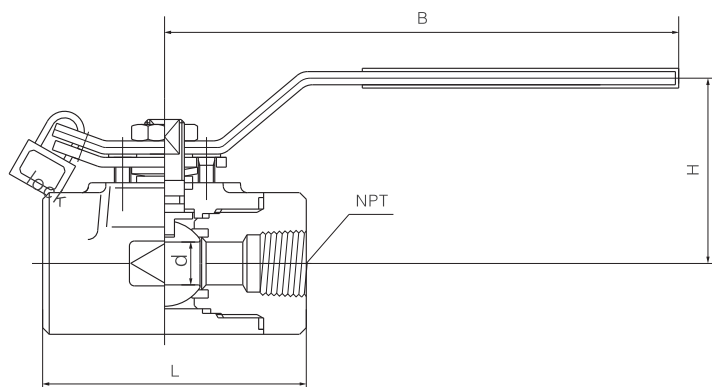
Class Diameter	Class 150 RB - FB	Class 300 RB - FB	Class 600 RB - FB	Class 900 RB - FB	Class 1500 RB - FB	Class 2500 RB - FB
2"	● ●	● ●	● ●	● ●	● ●	● ●
3"	● ●	● ●	● ●	● ●	● ●	● ●
4"	● ●	● ●	● ●	● ●	● ●	● ●
6"	● ●	● ●	● ●	● ●	● ●	● ●
8"	● ●	● ●	● ●	● ●	● ●	● ●
10"	● ●	● ●	● ●	● ●	● ●	● ●
12"	● ●	● ●	● ●	● ●	● ●	● ●
14"	● ●	● ●	● ●	● ●	● ●	● ●
16"	● ●	● ●	● ●	● ●	● ●	● ●
18"	● ●	● ●	● ●	● ●	● ●	● ●
20"	● ●	● ●	● ●	● ●	● ●	● ●
22"	● ●	● ●	● ●	● ●	● ●	● ●
24"	● ●	● ●	● ●	● ●	● ●	● ●
26"	● ●	● ●	● ●	● ●	● ●	● ●
28"	● ●	● ●	● ●	● ●	● ●	● ●
30"	● ●	● ●	● ●	● ●	● ●	● ●

Other dimension on request

## 2PCS Forged Steel Ball Valve CL800-2500

### Applicable standards:

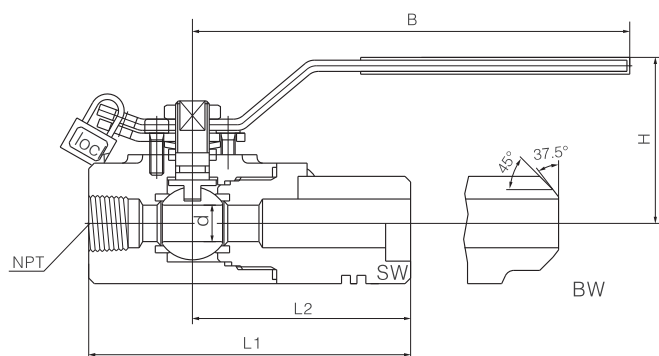
- Design and manufacture conform to :BS5352 MSS SP-118
- Connection ends conform to :
  - 1)Socket welded dimension conform ANSI B16.11
  - 2)Screw ends dimensin conform to ANSI B1.20.1
  - 3)Butt-welded conform to ANSI B16.25
  - 4)Flanged ends conform to ANSI B16.5
- Test and inspection conform to :API 598
- Structure featurres:screw thread;two-piece
- Maaterials conform to ANSI/ASTM
- Main materials:A105;LF2;304(L);316(L); F347;F321;F51;Monel;20 Alloy.



### CL800

One end is welded pipe(butt-welding or socked welding) and the other is thread,design conform to Bs5351

NPS	R.P	-	1/2	3/4	1	1 1/4	1 1/2	2	
	F.P	1/4	3/8	1/2	3/4	1	1 1/4	1 1/2	2
L		70	70	90	95	115	125	135	155
D		6	9	12.5	17	24	37	37	49

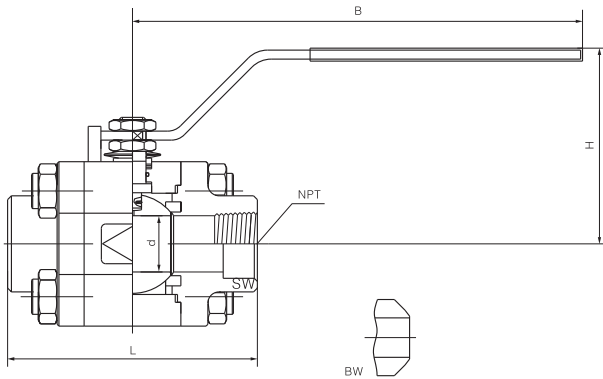


### CL1500-CL2500

One end is welded pipe(butt-welding or socked welding) and the other is thread,design conform to API6D

NPS	F.P	1/4	3/8	1/2	3/4	1	1 1/4	1 1/2	2
L1		80	80	95	115	125	135	155	155
		-	-	125	135	155	-	155	-
D		6	9	13	19	25	32	38	49
		6	9	13	19	25	-	38	42

## 3PCS Forged Steel Ball Valve CL800–2500



### Applicable standards:

- Design and manufacture conform to :Bs5352 MSS SP-118
- Connection ends conform to :
  - 1)Socket welded dimension conform ANSI B16.11
  - 2)Screw ends dimensin conform to ANSI B1.20.1
  - 3)Butt-welded conform to ANSI B16.25
  - 4)Flanged ends conform to ANSI B16.5
- Test and inspection conform to :API 598
- Structure feautres:
  - bolted bonnet;three-piece
- Maaterials conform to ANSI/ASTM
- Main materials:A105;LF2;F5;F11;F22;304(L);316(L); F347;F321;F51;Monel;20 Alloy.

### CL800–CL1500

Connection ends may be pipe-welded(butt-welding or socket welding) and/or threaded,design to BS5351

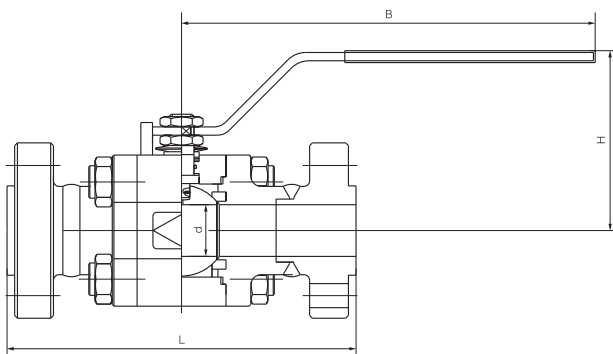
NPS	F.P	1 / 4	3 / 8	1 / 2	3 / 4	1	1 1/4	1 1/2	2
L1		92	92	92	111	127	140	152	152
D	CL800	6	9	13	18	23	28	35	49
	CL1500	6	9	13	19	25	32	38	49

### CL2500

Connection ends may be pipe-welded(butt-welding or socket welding) and/or threaded,design to Bs5351

NPS	F.P	1 / 4	3 / 8	1 / 2	3 / 4	1	1 1/4	1 1/2	2
L1		–	–	110	125	135	–	160	–
D		–	–	13	19	25	–	38	–

## 3PCS Flange Ball Valve



### Applicable standards:

- Design and manufacture conform to :Bs5352 MSS SP-118
- Connection ends conform to :
  - 1)Socket welded dimension conform ANSI B16.11
  - 2)Screw ends dimensin conform to ANSI B1.20.1
  - 3)Butt-welded conform to ANSI B16.25
  - 4)Flanged ends conform to ANSI B16.5
- Test and inspection conform to :API 598
- Structure feautres:
  - Bolted bonnet,Welded bonnet
- Maaterials conform to ANSI/ASTM
- Main materials:A105;LF2;F5;F11;F22;304(L);316(L); F347;F321;F51;Monel;20 Alloy.

### CL1500–CL2500

Flanged or butt-welded ends;design to API 6D Face to face conforms to manufacture standard

NPS	F.P	1 / 2	3 / 4	1	1 1/4	1 1/2	2
L		216	229	256	279	305	365
		264	273	308	349	381	451
D		13	19	25	32	38	49
		13	19	25	32	38	42